

Thank you for selecting a SimpleSox[™] System. This guide should be helpful for installing SimpleSox[™]. Sections of fabric will be labeled, assembled, bagged, and boxed for shipping.

Overview

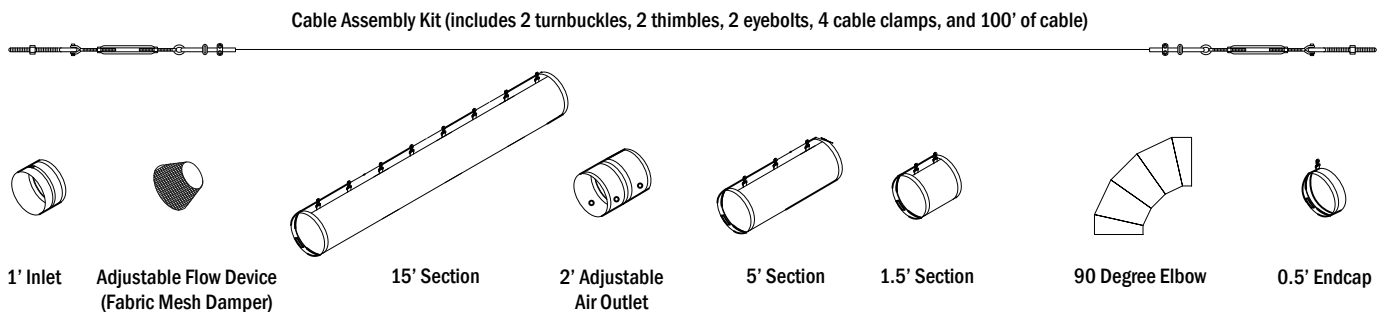
Inventory

The first step on any installation project is to check the order and familiarize yourself with what needs to be installed. We suggest reading through this manual completely to properly educate yourself on field installation. Please make sure you have all the required components for the SimpleSox[™] System.

Equipment Required:

- Drill
- Screwdriver
- Tape measure
- Marker or pencil
- 5/16 nut driver
- Ladder or lift for extended heights

Available Components/Details



NOTE: We always provide 20% more cable. There will actually be 120' of cable included in the kit.

Installation Steps

1. Review materials to confirm all parts fit the pre-determined design.
2. Assess product placement area to confirm the system will fit in the required space.
3. Prepare metal inlet collar for fabric connection.
4. Locate cable anchors and components.
5. Install cable end supports.
6. Install the fabric.
7. Use excess cable and cable clamps for mid-supports.
8. Install cable stops.
9. Rotate Adjustable Air Outlet (AAO) sleeves as needed.

Step 1

Review materials to confirm all parts fit the pre-determined design. **READ INSTRUCTIONS THOROUGHLY BEFORE BEGINNING.**

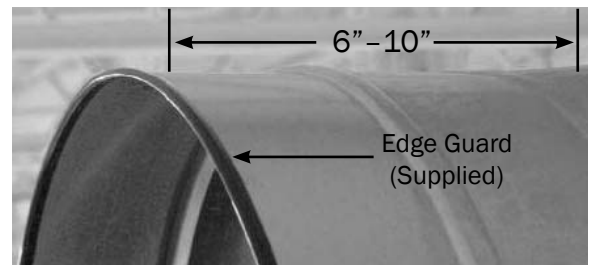
Step 2

Assess product placement area to confirm the system will fit in the required space.

Step 3

Prepare metal inlet collar for fabric connection.

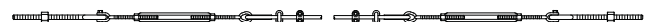
- Confirm inlet air supply location and size.
- SimpleSox™ inlets are manufactured 1/2" larger than specified to fit over metal inlet collar.
- Metal collar length should be 6"–10" to secure fabric inlet.
- Edge guard (provided) should be installed on the edge of the metal collar to reduce fabric wear on metal edge.



Step 4

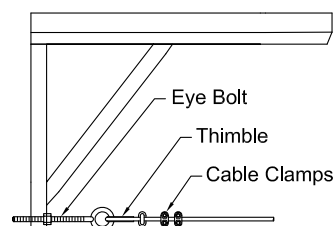
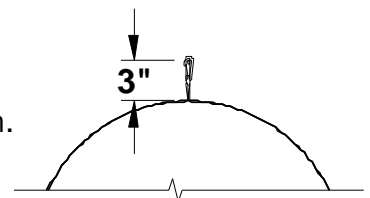
Locate cable anchors/components. Tension cable system includes 1/8" cable and hardware as shown.

Hardware kit includes: 2 turnbuckles (6" draw), 2 eyebolts, 4 cable clamps, and 2 thimbles
Cable Length = 100' (+20' additional)



Step 5

Install cable end supports as required. Hang cable 3" above top of System.



Suggested SimpleSox™ Ceiling Gusset Brace:
1" x 1" angle iron or slotted channel to attached DuctSox cable hanging system

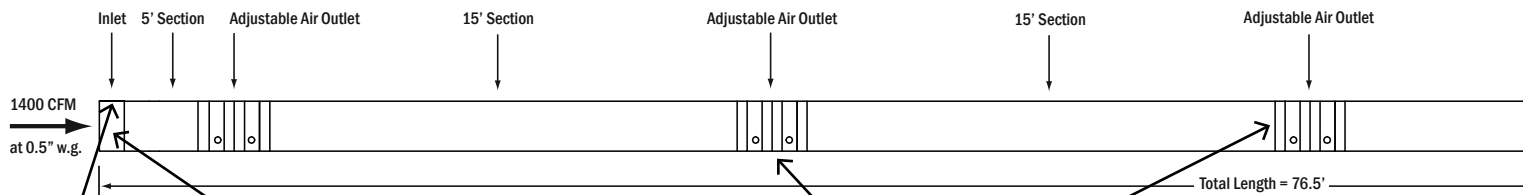
If your SimpleSox™ System has elbows:
Install cable as shown at right 3" above top of the System.

NOTE: The elbows are meant to be interchangeable left or right when connected to the SimpleSox™ System. The double zipper allows for this.

Step 6

Install the fabric.

Sample System



1 Secure attachments to suspension system (inlet section first if not zipped together).

2 Slide SimpleSox™ inlet over collar and position the zipper start/stop at top center and tighten the DuctBelt.

Secure anchors with standard screws (not provided) after start-up (to ensure proper inflated alignment).



3 Clip SimpleSox™ System onto cable. Connect sections together with zippers. The pull (female end) of the zipper is located towards the end away from the inlet of the section.

Step 7

To prevent “sagging,” use excess cable and cable clamps for mid-supports every 30 feet maximum.

Step 8

Install cable stops. Once system is properly adjusted, deflate the system, pull the last snap in each straight section, and secure tension using cable clamp to cable (will reduce inflation “popping”). If the system includes elbows, secure the last snap before elbow(s).

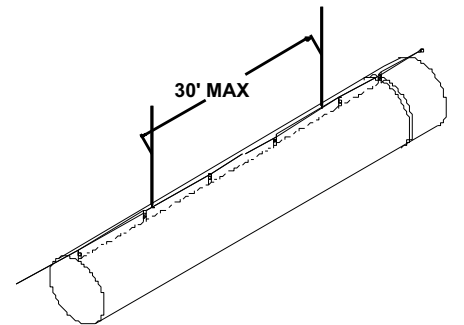
Cable clamps are provided to secure snaps.

Failure to install the SimpleSox™ System correctly can void warranty.

Step 9

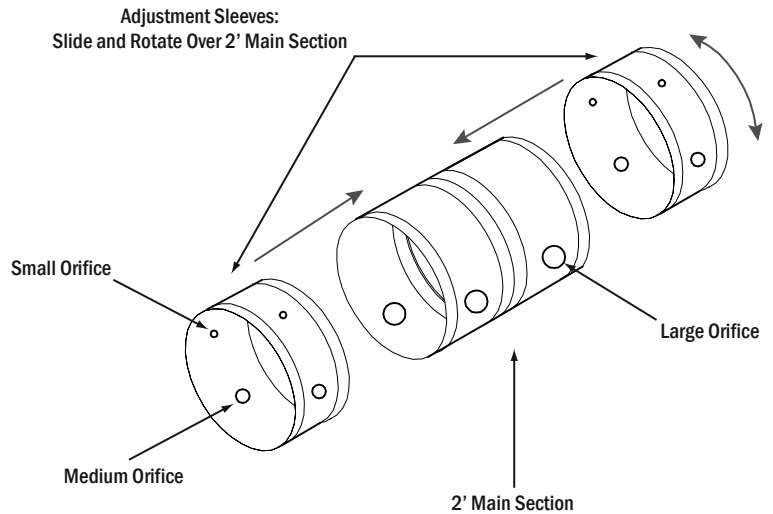
Rotate the Adjustable Air Outlet (AAO) sleeves as needed. All AAO settings are set on Medium. CFM ranges are diameter specific. Please see AAO insert sheet for details.

NOTE: When adjusting AAOs, the SimpleSox™ System should be inflated, AND the flaps should be folded back to expose the hook and loop fasteners on the AAO. Once adjustments are made, fold back the flaps to cover zippers and hook and look fasteners.



Change the Direction of Airflow

The 2' main section of the AAO has four large orifices and has dual start zippers on each end. This enables the AAO to be rotated 180 degrees, changing the direction of airflow to either down (4 & 8 o'clock) or up (10 & 2 o'clock).



Change the Volume of Airflow

Each AAO has two independent adjustment sleeves that slide and rotate over the 2' main section. The adjustment sleeves have both small and medium orifices and are held in place with hook and loop fasteners. Simply rotate the sleeves to select small and/or medium orifices. For large orifices, slide the sleeves off of the 2' main section onto the inactive sections. This will expose the large orifices and will keep the sleeves readily available if you want to decrease the airflow. Changing the number of orifices activated (0, 1, 2, 3, or 4) and/or the size of each orifice (small, medium, or large) changes the volume of air discharged from the AAO. NOTE: 0.5" w.g. inlet static pressure. See Chart below for Low, Medium (Factory Setting), and High CFM volumes for each diameter.

AAO Air Volume (CFM)
(per 4 orifices)

Diameter	Low	Medium	High
12"	140	200	260
16"	200	280	380
20"	320	460	620
24"	380	560	760
28"	460	680	920
		Factory Setting	

NOTE: For Low and Medium Settings, reduce airflow volumes in chart by 50% if orifices are on one side only. High Setting is not applicable for air dispersion on one side.

For more detailed instructions on adjusting the AAO, see the packing slip included with the AAO.

Laundering Instructions

- Remove system and break down into sections
- Turn soiled side out, soak in cold water for 30 minutes
- Wash cold, gentle cycle
- Rinse thoroughly (repeat cycle if water/SimpleSox still soiled)
- Drip dry or no heat tumble dry



If any questions arise regarding the installation of your SimpleSox™ System, go to www.ductsox.com or contact us at 866-DuctSox (866-382-8769).

DUCTSOX®
Fabric Air Dispersion Products

4343 Chavenelle Road • Dubuque, IA 52002
Ph: 866-382-8769 • Fax: 563-589-2754

www.ductsox.com

© 2010 DuctSox Corp.
DSSSIG0810A