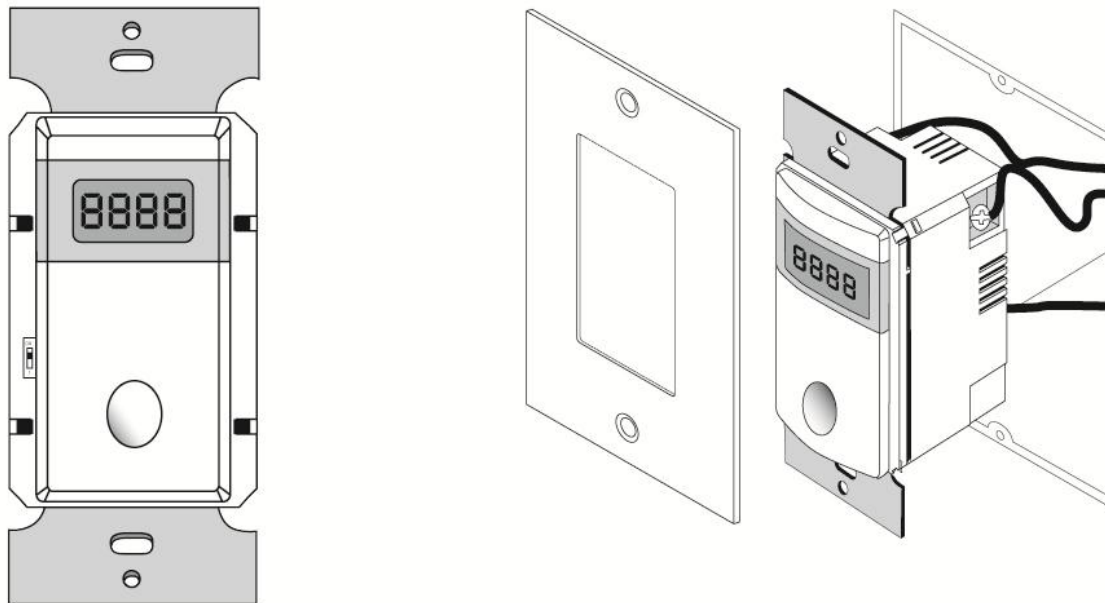




Watt Stopper® Timer model TS-400-24

For use with the **200DX RecoupAerator®**

Wiring Instructions and User Guide



The **Watt Stopper® Timer** is used to run the **RecoupAerator®** for a specified amount of time at full air flow, also known as Boost mode. (Please see Illustrations)

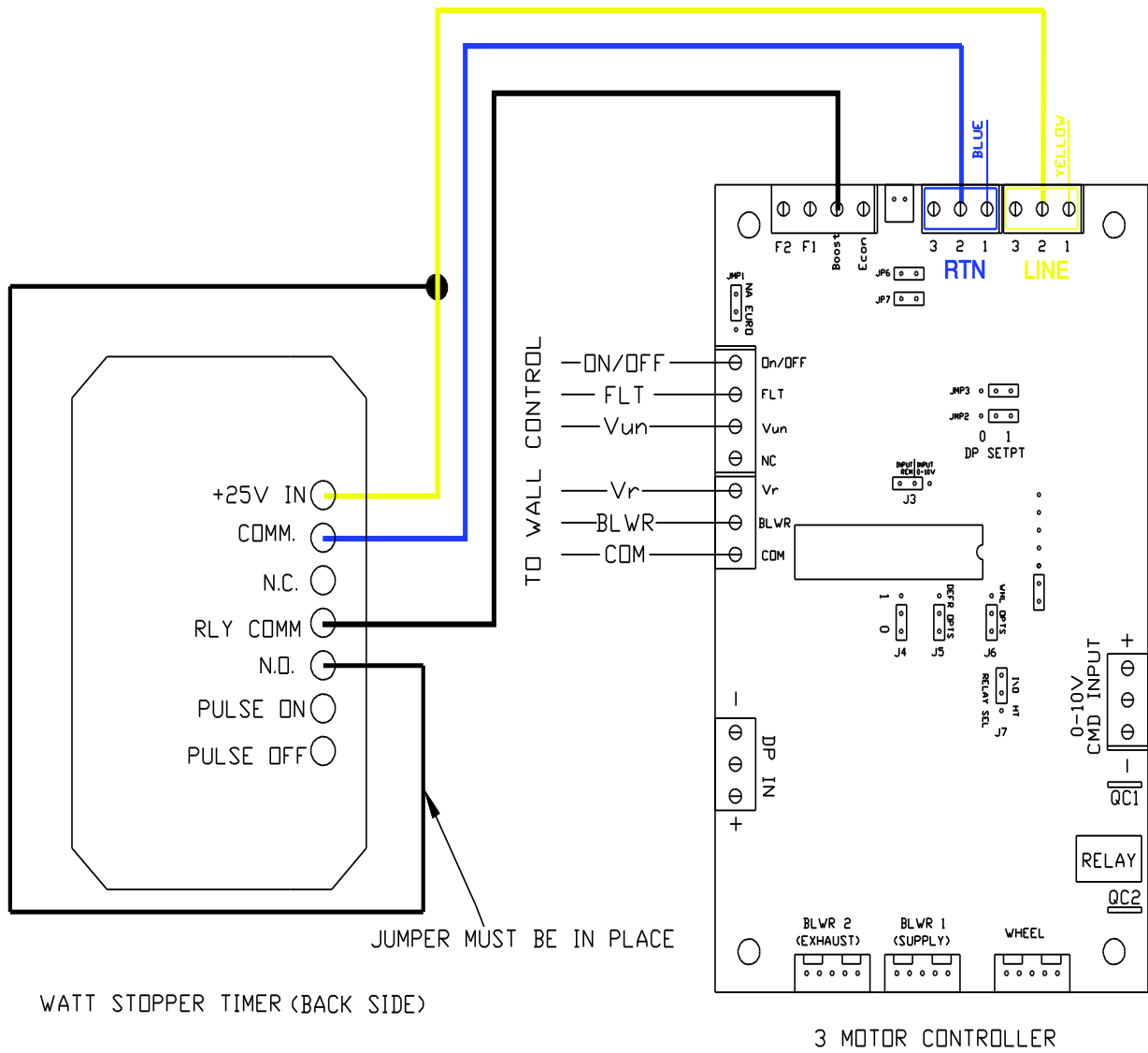
The **Watt Stopper® Timer** fits into a standard residential electrical wall box and is wired to the control board of the **RecoupAerator®** using a 3-conductor wire (20/22GA).

Countdown Timer: To use the **Watt Stopper® Timer**

Press the front On/OFF button to select the appropriate time to run the **RecoupAerator®** in boost mode. The switch can be reset by pressing and holding the ON/OFF button for 2 seconds. Located under the face plate on the left side of the timer is a calibration button for further customization of timer functions.

For more details about the Watt Stopper Timer functions and customization, please refer to the manufactures instruction included with the **Watt Stopper® Timer**.

Wiring Watt Stopper® Timer for BOOST (Full Flow)



Note* After the timed run has completed the **RecoupAerator**® will return to normal operation set on the wall dial control.